

# MANIPULATORS

## MOBILE HANDLING STATIONS

PREVENT THE PROBLEM WITH

MOST COMMON TYPE OF INJURIES



CUTS AND WOUNDS



SPRAINS AND STRAINS



FRACTURES

MOST COMMON CAUSES OF INJURIES



OVERWEARINESS



REPETITIVE ACTIONS



BUMP, CUT OR CAUGHT BY EQUIPMENT

ERGONOMIC APPLICATIONS



ELIMINATE THE MOST COMMON CAUSES OF WORKER INJURIES



WORKER CAN BE MORE PRODUCTIVE WITH LESS STRAIN



THE WEIGHT LOAD IS TAKEN OFF THE WORKER

WORKER SAFETY



MAINTAINING SAFETY DISTANCES FOR WORKERS LIMBS



CARRY THE TOOL IN TIGHT SPACES WHILE KEEPING WORKERS SAFE



CUTS THE LARGE COSTS OF WORKER INJURIES

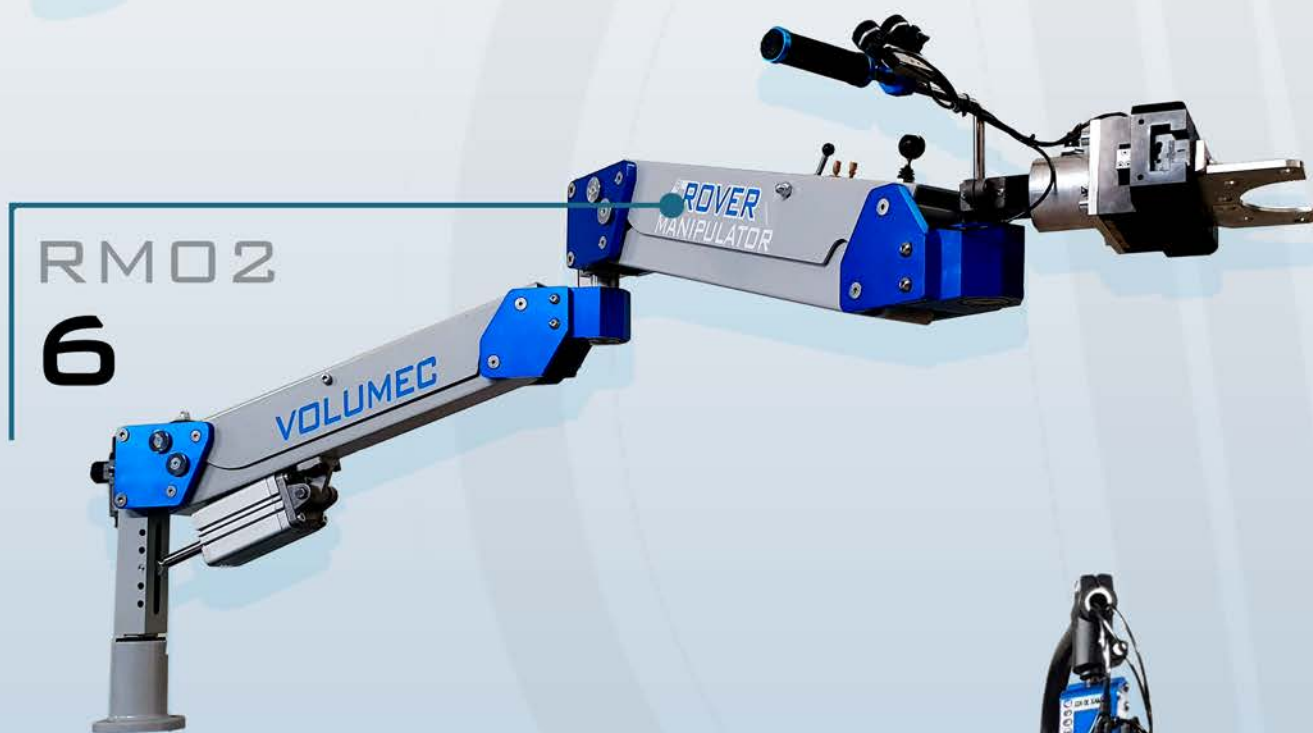
SHOULDERS

BACK

HANDS

KNEES

ANKLES

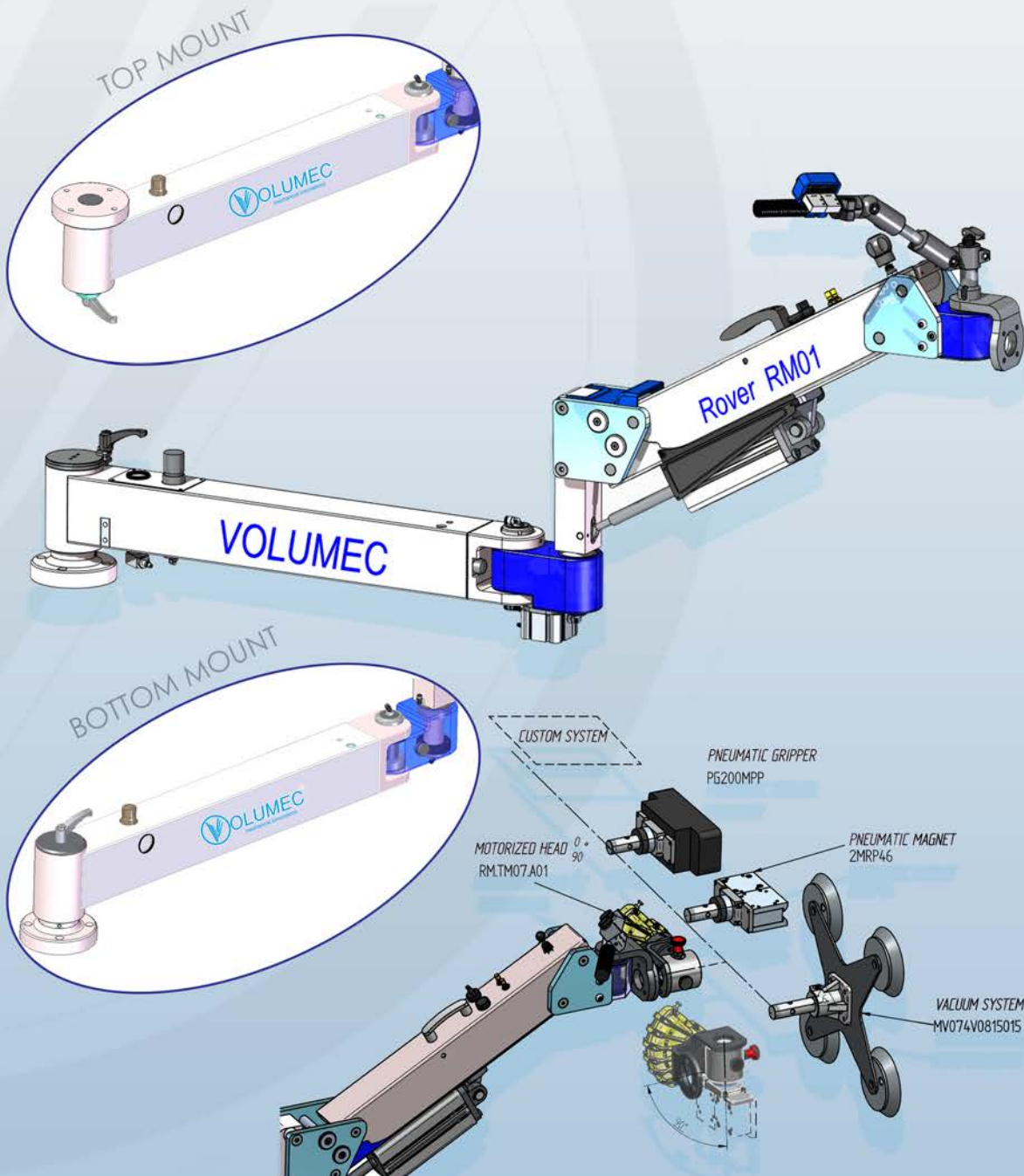


# RM01

**Rover Manipulator RM01** has a maximum load capacity of 100 kg and an interchangeable gripping system based on different needs or types of pieces.

The head can be manually rotated or motorized on multiple axes, therefore able to automatically rotate the pieces during the lifting phase.

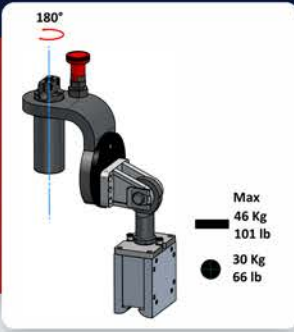
The Rover RM01 becomes a mobile manipulator if equipped with the **CSM001** and **CSM002** trolley but can also be fixed to the floor or ceiling



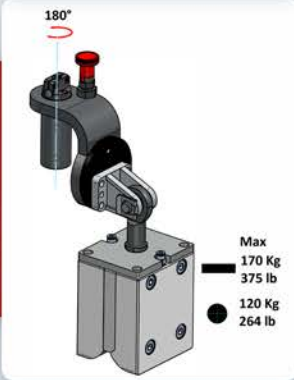
MANUAL

MOTORIZED

**MAGNET TRVM46**



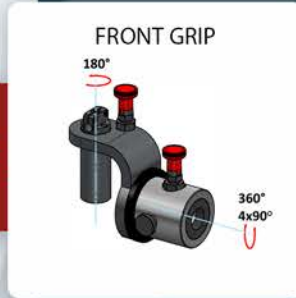
**MAGNET TRVM70**



**SG**



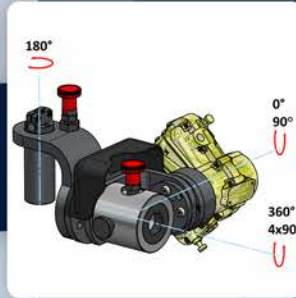
**SRH**



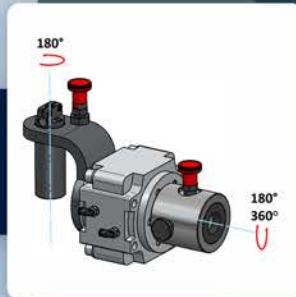
**MRH**



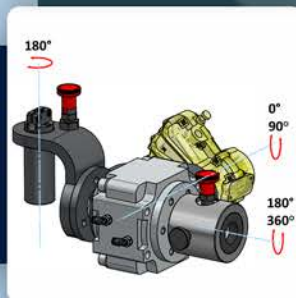
**RM.TM07**



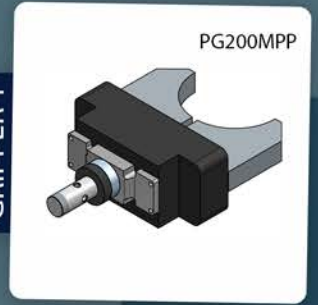
**RM.TM180**



**RM.TM07-180**



**GRIPPER 1**



**GRIPPER 2**



**VACUUM 2**



**VACUUM 4**

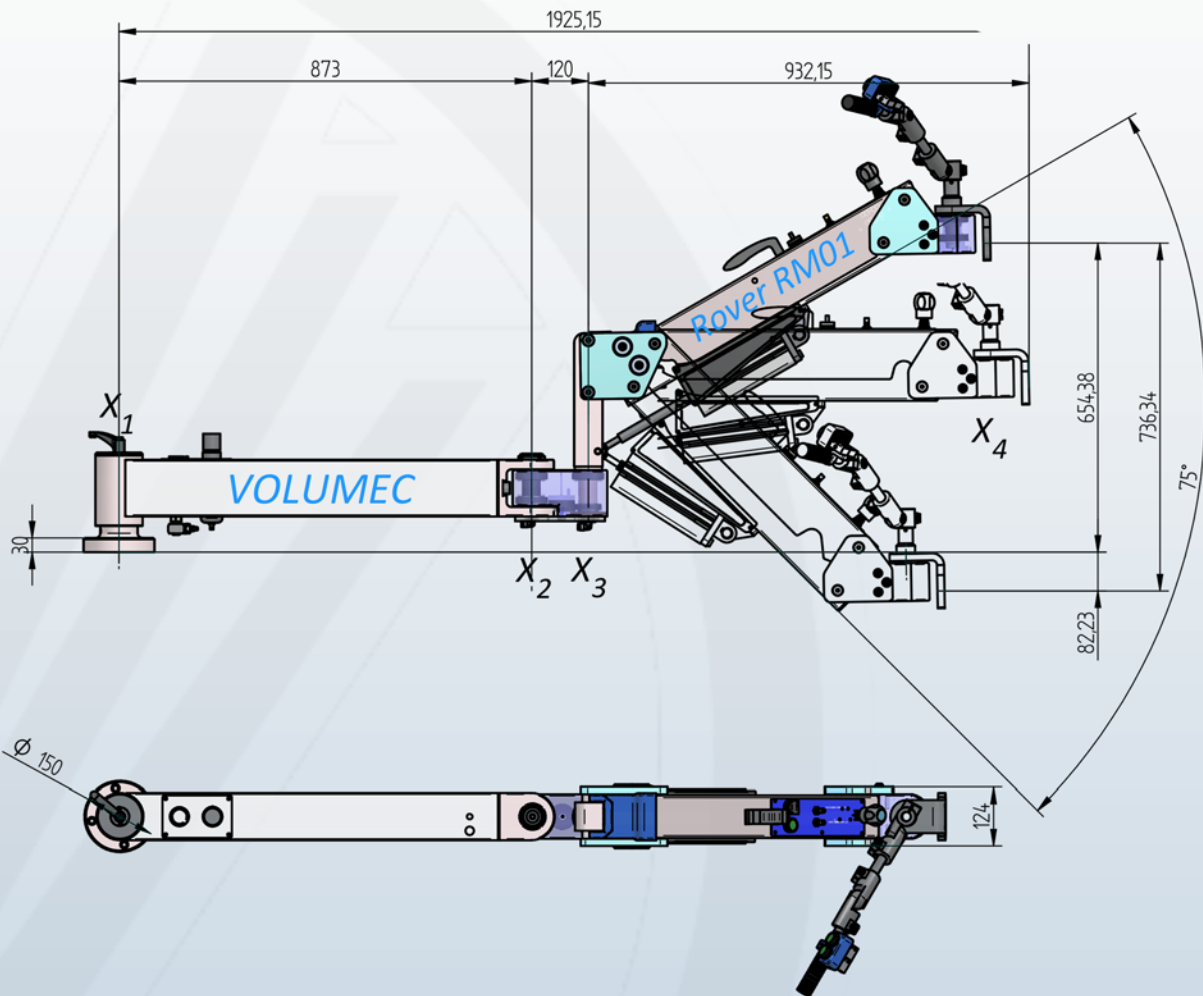


**MAGNET 2M46**

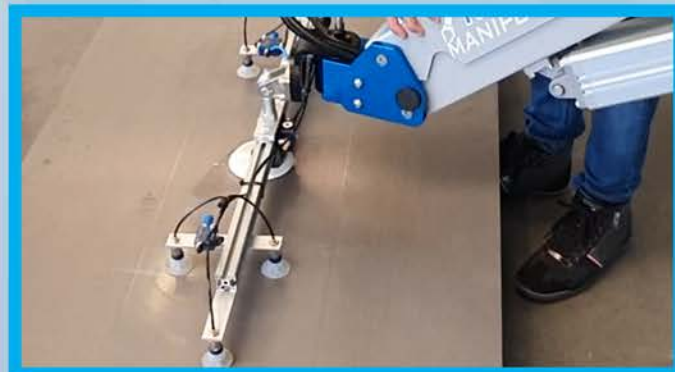
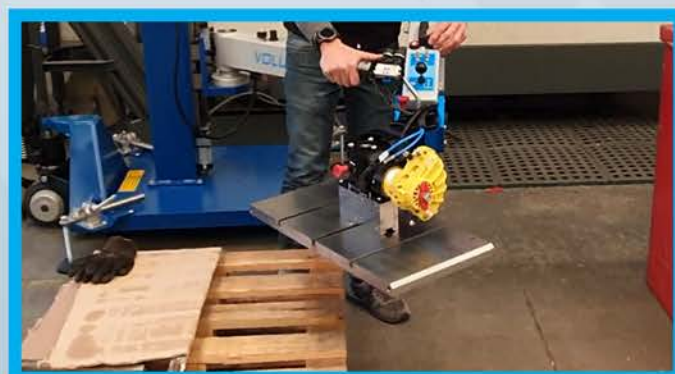
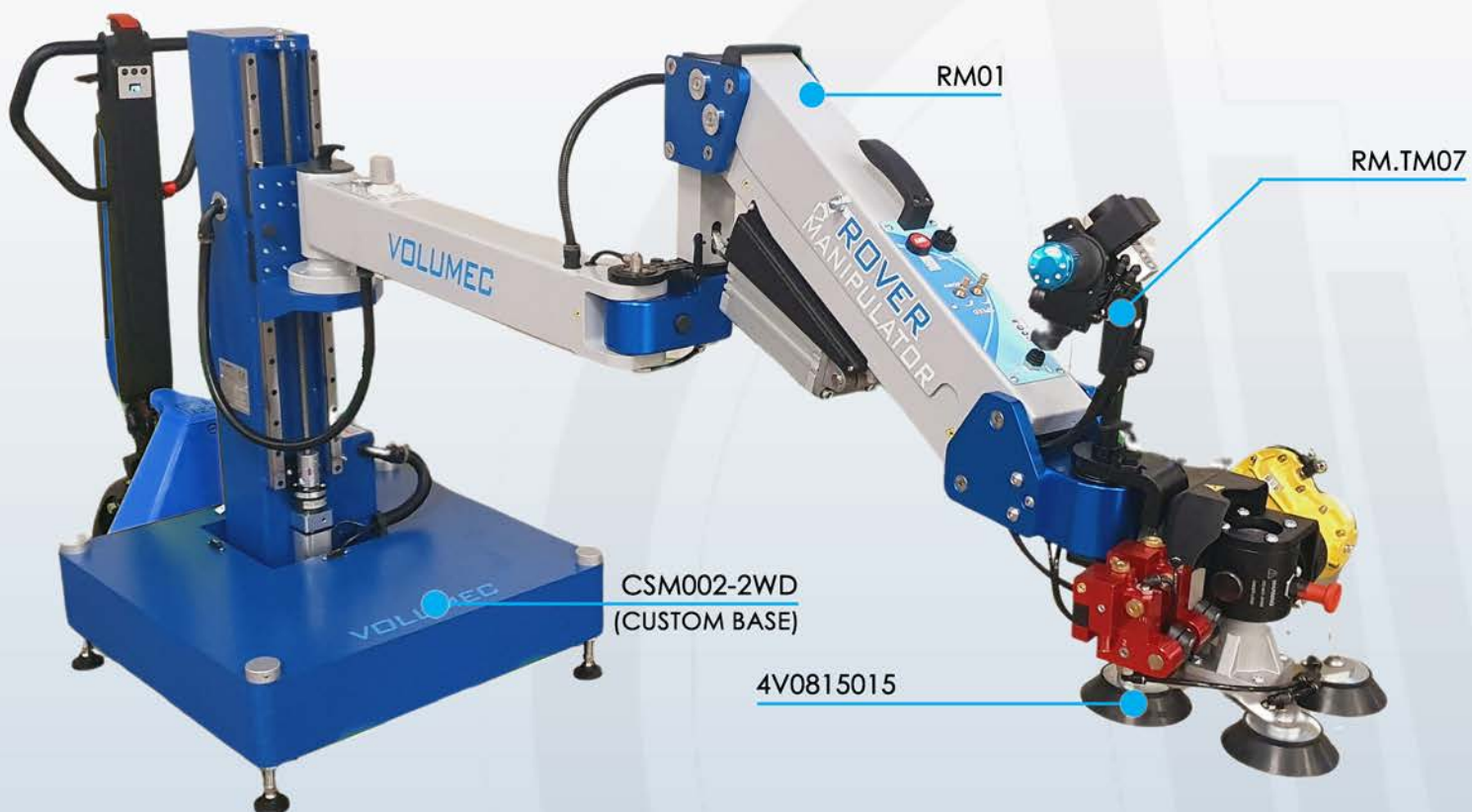


**CUSTOM**





LIFTING	From 1 to 100 Kg (2,2 - 220 lb)
WORKRAY	1925mm (75,8 in) + Head
VERTICAL STROKE	736 mm (29 in)
GRIPPING SYSTEMS	Pneumatic Magnet, Vacuum or Pneumatic Gripper
WEIGHT	75 Kg (130 lb)
PRESSURE	6-8 bar
SPEED	Outward and return
OPERATING TEMPERATURE	10°-45° C
ROTATION	X1=360°/ X2=180°/ X3=180°/ X4 =180°

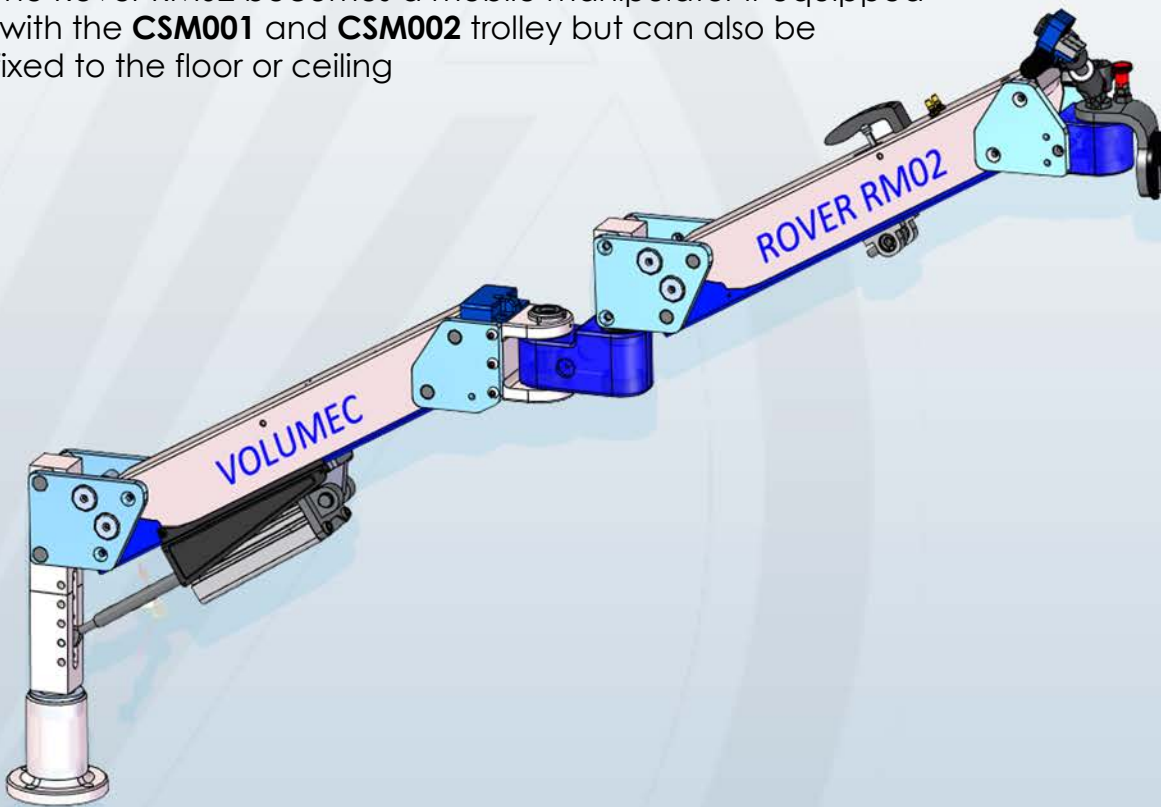


# RM02

**Rover Manipulator RM02**, has a maximum load capacity of 50 kg and an interchangeable gripping system based on different needs or types of pieces.

The double articulation represents a unique solution that allows the height of the gripping system to be adjusted before carrying out the manipulation.

The Rover RM02 becomes a mobile manipulator if equipped with the **CSM001** and **CSM002** trolley but can also be fixed to the floor or ceiling



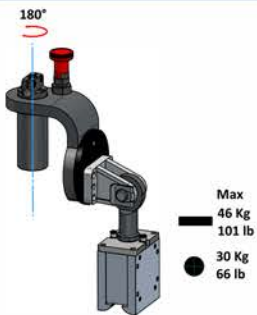
MANUAL

## TECHNICAL DATA

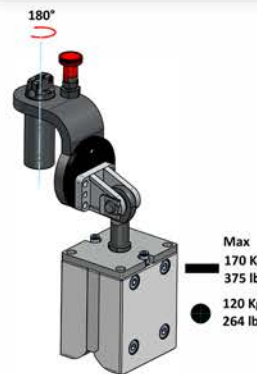
LIFTING	From 1 to 50 Kg (2,2 - 110 lb)
WORKRAY	1685 mm (66,3 in) + HEAD
VERTICAL STROKE	736 mm (+500 Regulation) - 29 in (+20 Regulation)
GRIPPING SYSTEMS	Pneumatic Magnet, Vacuum or Pneumatic Gripper
WEIGHT	40 Kg (88,2 lb)
PRESSURE	6-8 bar
SPEED REGULATION	Outward and return
OPERATING TEMPERATURE	10°-45° C
ROTATION	X1=360° / X2=180° / X3=180° / X4 =180°



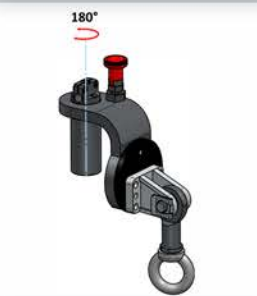
**MAGNET TRVM46**



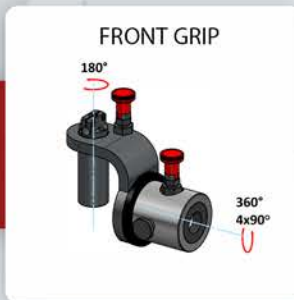
**MAGNET TRVM70**



**SG**



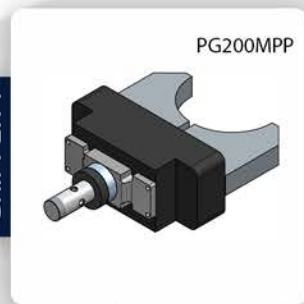
**SRH**



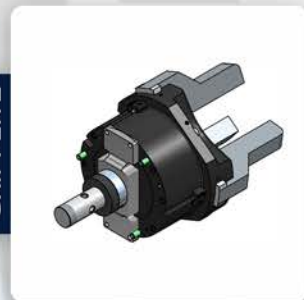
**MRH**



**GRIPPER 1**



**GRIPPER 2**



**VACUUM 2**



**VACUUM 4**



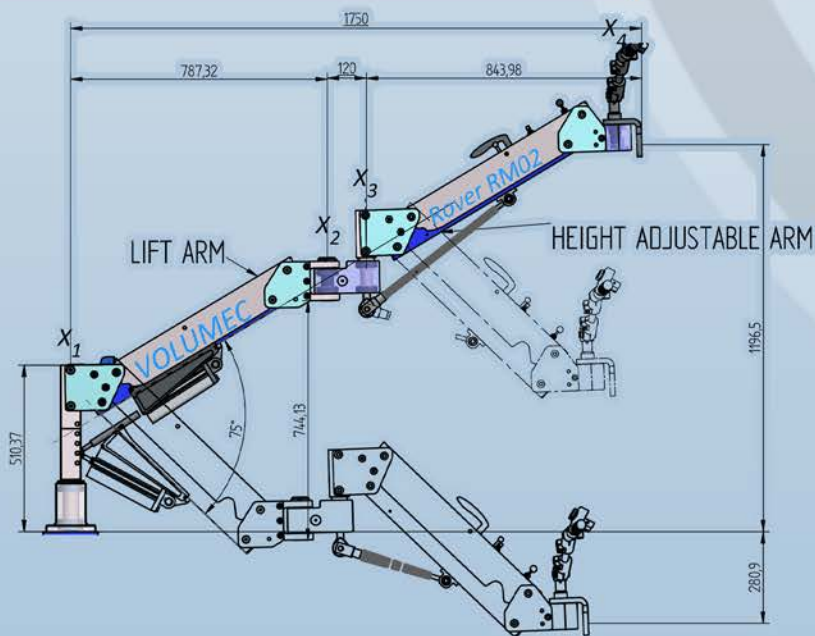
**MAGNET 2M46**



**CUSTOM**



**WORKING AREA**



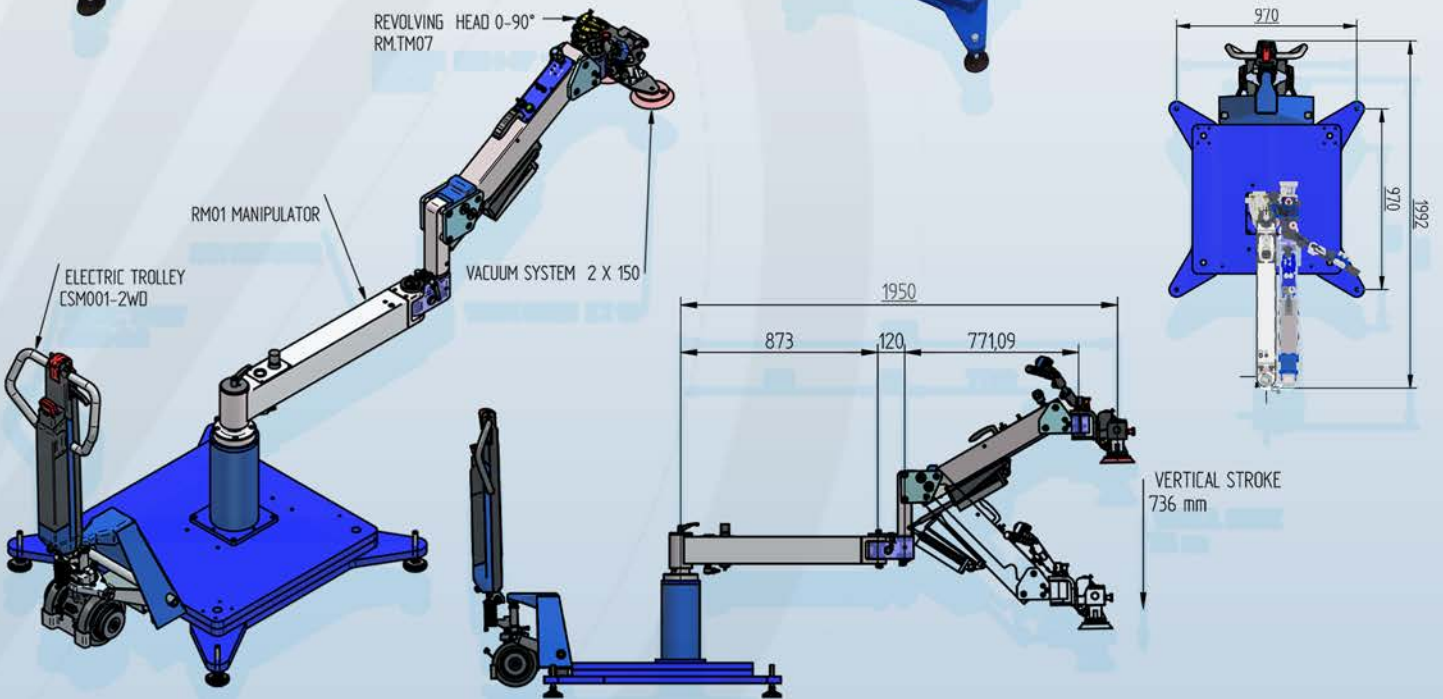
## CSM001: BASEMENT WITH FIXED COLUMN 800X800 mm

Total height H= 500 mm.  
Weight : 350 Kg (772 lb).



## CSM001-2WD: TROLLEY WITH FIXED COLUMN 800X800 mm

Electric motorized trolley.  
Total height H=500 mm.  
Total weight 430 kg (948 lb).

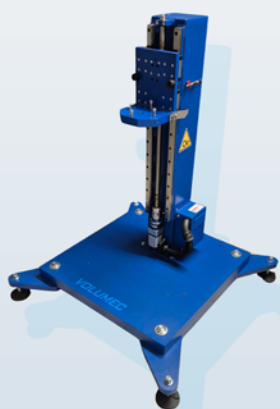


## CM600/CM1000: ADJUSTABLE LIFTING COLUMN

Column H=1060/1460 mm and stroke 600/1000 mm.  
Handling through brushless motor 400W – 220 V.  
Arranged for floor fixing.

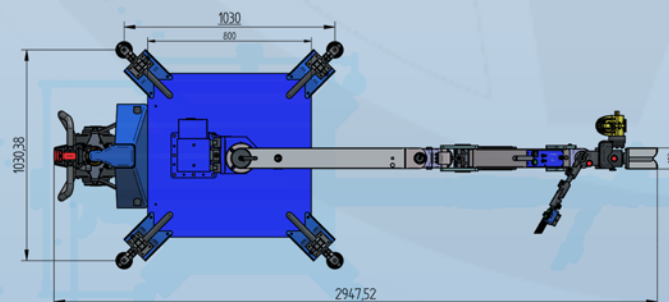
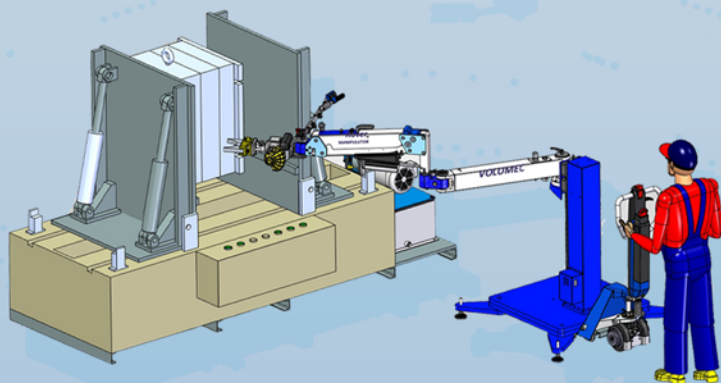
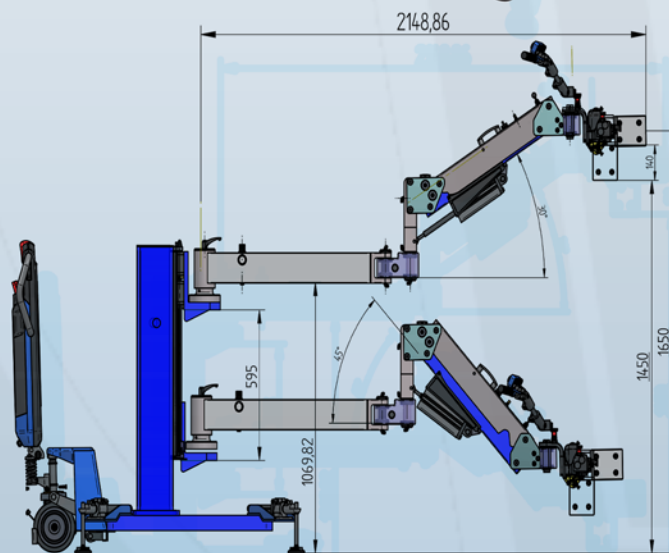
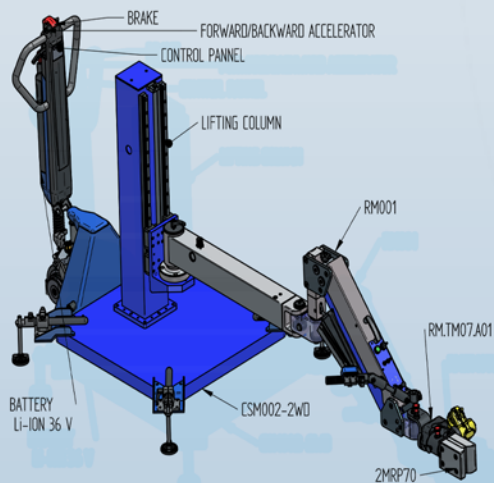
## CSM002: BASEMENT FOR MANIPULATOR WITH ADJUSTABLE LIFTING COLUMN

Column H= 1060 mm and stroke 600mm.  
Handling through brushless motor 400W – 220 V.  
Piloting by electronic accelerator and up and down buttons.  
Weight : 400 Kg (882 lb)



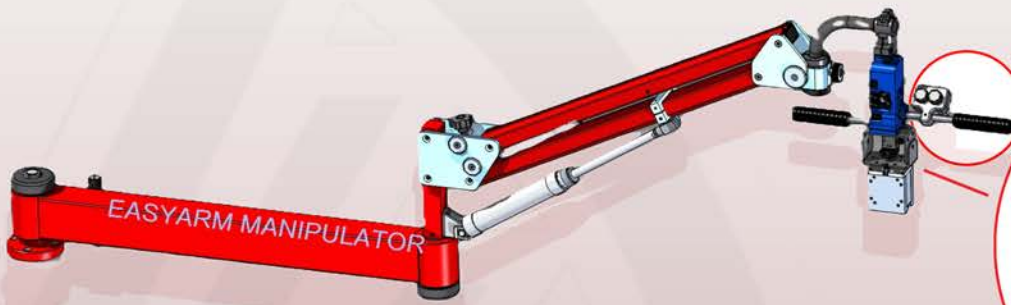
## CSM002-2WD: TROLLEY WITH ADJUSTABLE LIFTING COLUMN.

Electric motorized trolley.  
Column H= 1060 mm and stroke 600mm.  
Handling through brushless motor 400W – 220 V.  
Piloting by electronic accelerator and up and down buttons.

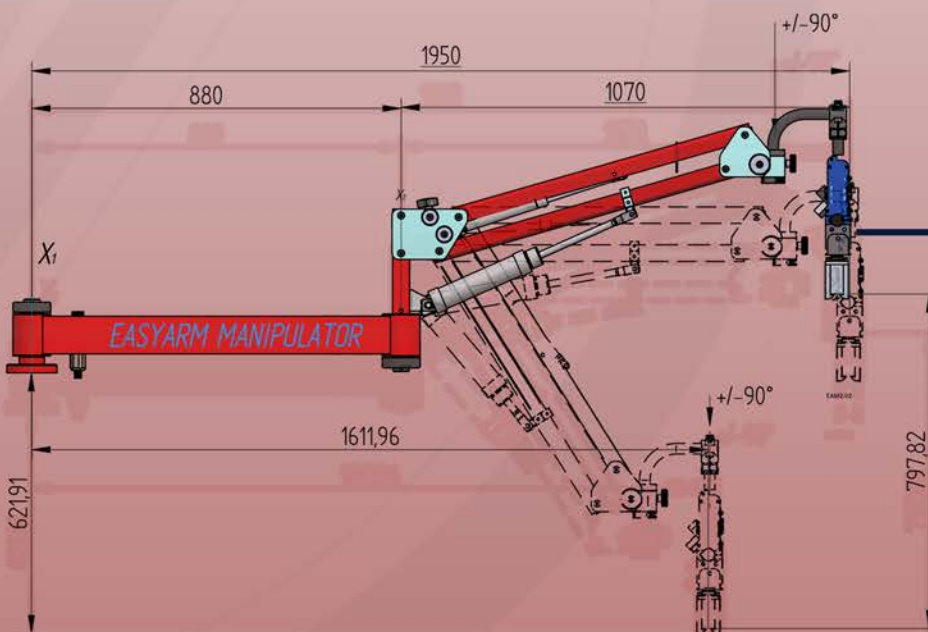


# EASYARM MANIPULATOR

**EAM2** is an advanced mobile manipulator designed to handle loads ranging from 1 to 30 Kg. It is easily transportable thanks to its wheeled trolley and can reach a lifting height of over 2 meters, making it ideal for a variety of applications. The modular gripping system offers versatile options, including pneumatic magnets, suction cups, and hooks, allowing it to adapt to different materials and shapes.



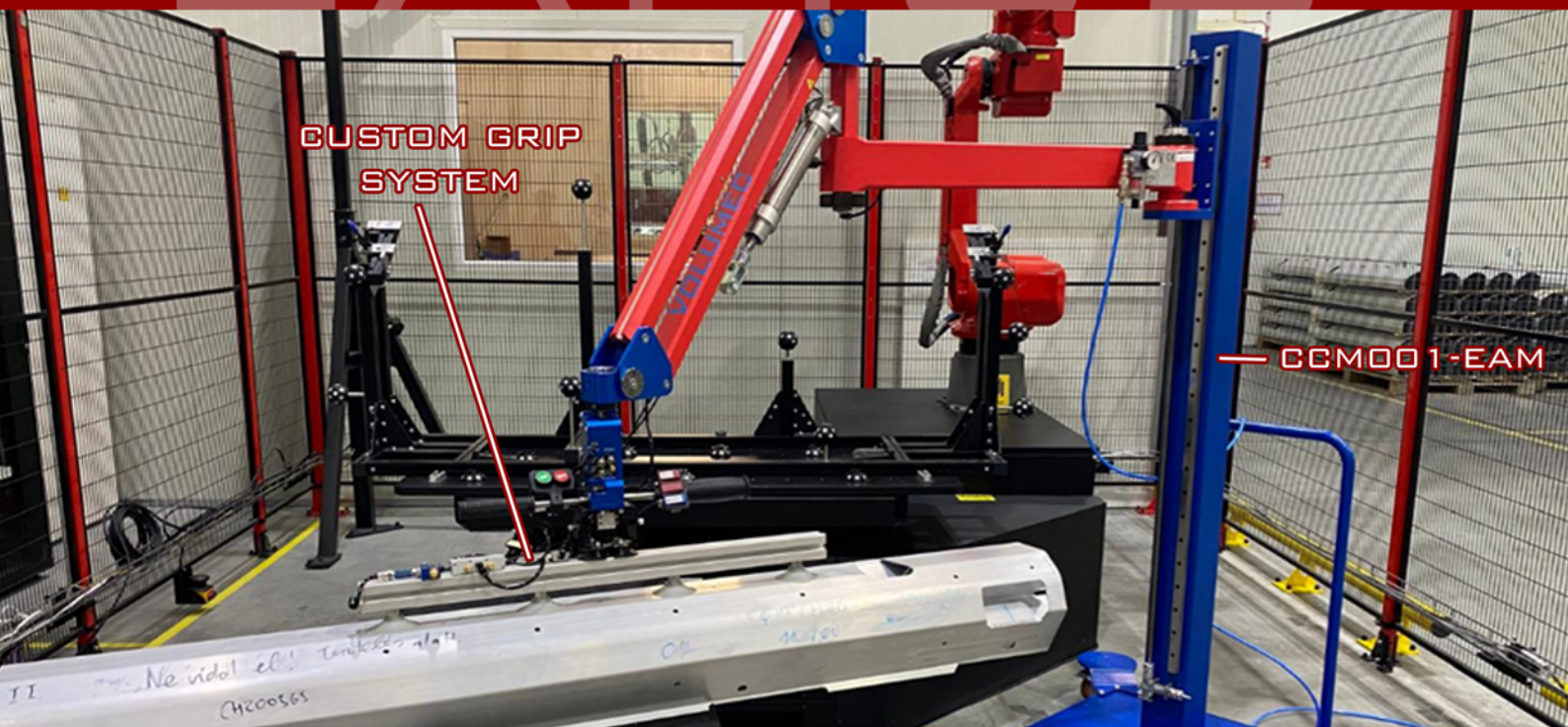
## WORKING AREA



- RING** EAM2-00
- VACUUM** EAM2-01
- MAGNET** EAM2-02
- CUSTOM**

EASYARM  
MANIPULATOR

# EXAMPLES

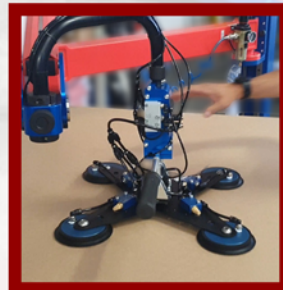
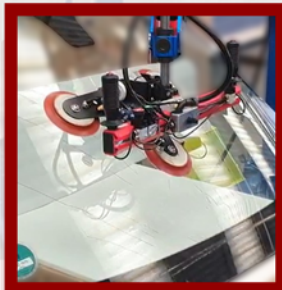


CYLINDRICAL PARTS

PLASTIC-GLASS PARTS

BOXES

FLAT PARTS



EASYARM  
MANIPULATOR

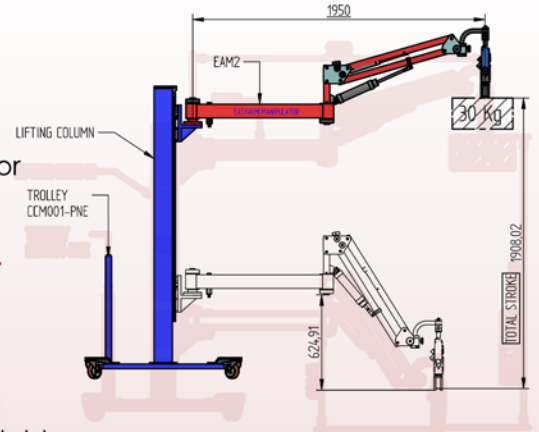
# TECHNICAL DATA

CODE	EAM2-00	EAM2-01	EAM2-02	EAM2-012
GRIPPING SYSTEM	RING	VACUUM	PNEUMATIC MAGNET	PNEUMATIC MAGNET + VACUUM
PRESSURE	6-8 Bar	6-8 Bar	5-8 Bar	5-8 / 6-8 Bar
GRIPPING CAPACITY ON STEEL FLAT PIECE	/	1-25 Kg (2,2 - 55 lb)	1-46 Kg (2,2 - 101 lb)	1-46 kg (2,2 - 101 lb)
GRIPPING CAPACITY ON STEEL ROUND PIECE	/	NO	1-30 Kg (2,2 - 66 lb)	1-30 kg (2,2 - 66 lb)
PLASTIC/GLASS/BOX ALUMINUM/STAINLESS STEEL /ETC	/	1-25 Kg (2,2 - 55 lb)	No	No
WORKING AREA MIN-MAX	100-1950 mm (4 - 76,8 in)	100-1950 mm (4 - 76,8 in)	100-1950 mm (4 - 76,8 in)	100-1950 mm (4 - 76,8 in)
LIFTING WEIGHT	1-30 Kg (2,2 - 66 lb)	1-28 Kg (2,2 - 62 lb)	1-28 Kg (2,2 - 62 lb)	1-28 Kg (2,2 - 62 lb)



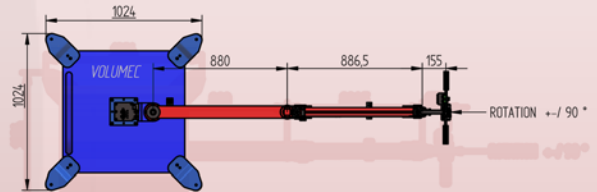
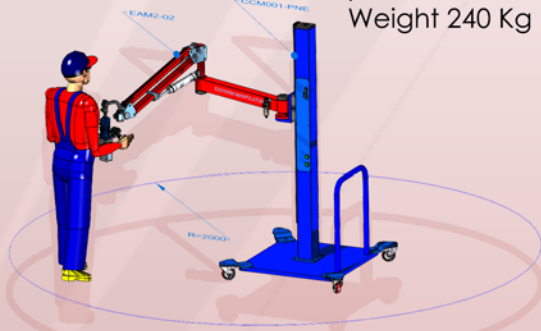
**CCM001-PNE: TROLLEY WITH PNEUMATIC LIFTING COLUMN**

Lifting column arm H=2000mm  
pneumatic piloting integrated with manipulator  
4 swivel wheels, 2 with brakes push handle.  
Weight 250 Kg (550 lb)



**CCM001-EAM: TROLLEY WITH LIFTING COLUMN**

Lifting column arm H=2000mm  
movement on linear guide and controllable trapezoidal bar with electric or pneumatic screwdriver  
4 swivel wheels, 2 with brakes  
push handle.  
Weight 240 Kg (528 lb)

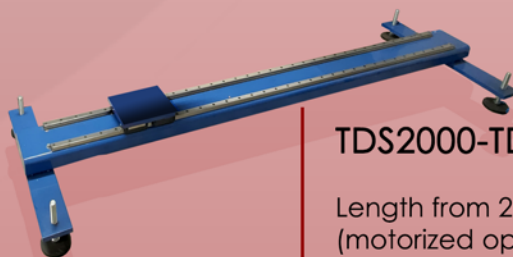


**CCF001-PNE: PNEUMATIC LIFTING COLUMN H=1850mm**

Integrated pneumatic control with manipulator  
Weight 70 Kg (154 lb)

**CCF001: LIFTING COLUMN H=1850mm**

Movement on linear guide and trapezoidal bar,  
can be driven with an electric or pneumatic screwdriver  
Weight 60 Kg (132 lb)

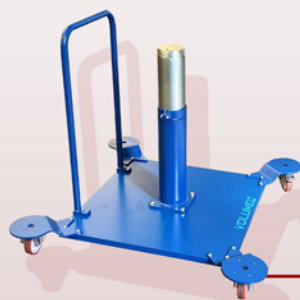


**TDS2000-TDS4000: FLOOR RAIL**

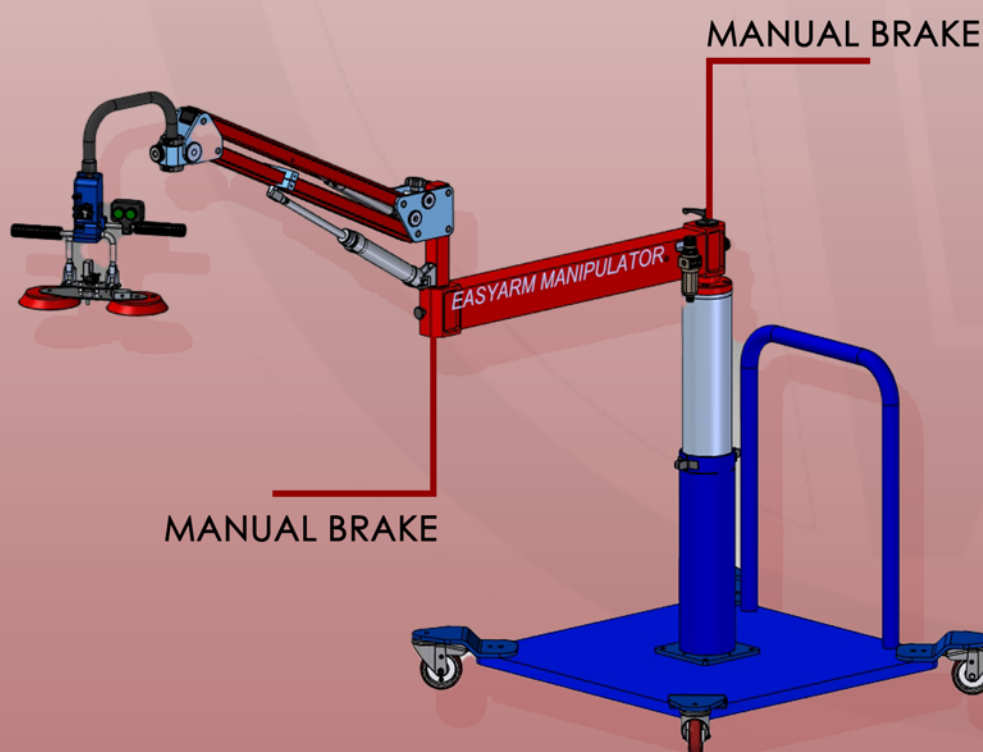
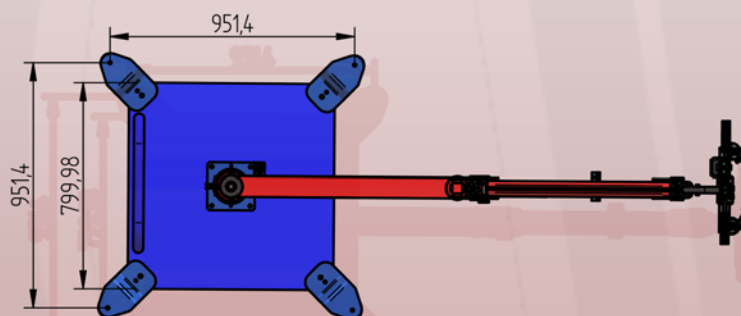
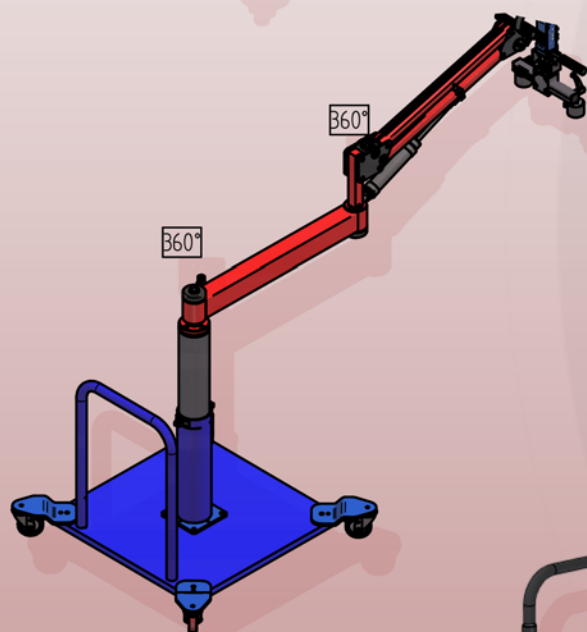
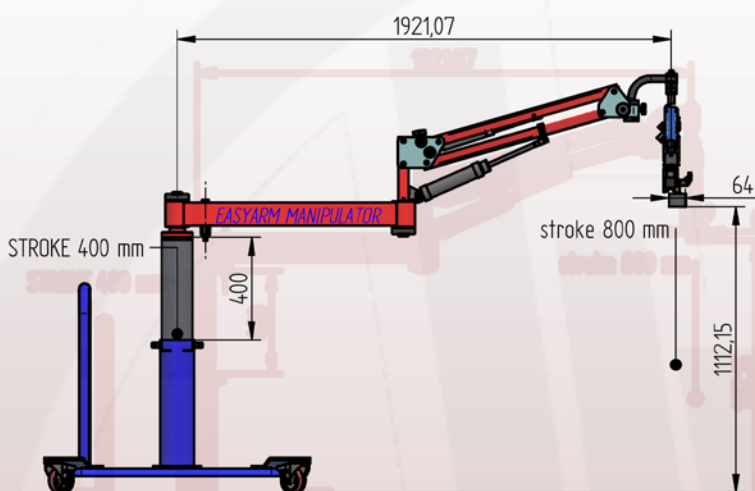
Length from 2000 to 4000 mm with manual movement (motorized optional).

EASYARM  
MANIPULATOR

ACCESSORIES



CCF100-EAM: TROLLEY  
800X800X30 mm  
Column with adjustable  
height 650mm-1050 mm.  
4 turning wheels,  
2 with brakes.  
Weight: 185 Kg (408 lb).



VOLUMEK IS ALSO  
**EASYARM<sup>EVO2</sup>**  
MAKE EASY YOUR WORK



Via Del Mercato 5 - 31020  
Sernaglia della Battaglia (TV) - ITALY  
Phone +39 (0)438 900299 Fax: +39 (0)438 1896510  
[www.volumek.com](http://www.volumek.com) - [www.easyarm.it](http://www.easyarm.it) - [info@volumek.it](mailto:info@volumek.it)



/VOLUMEK



/VOLUMEKITALY



/volumek\_italy